

THIS DRAWING IS UNPUBLISHED. RELEASED FOR PUBLICATION 20
 © COPYRIGHT 20 BY TYCO ELECTRONICS CORPORATION. ALL RIGHTS RESERVED.

LOC	DIST	REVISIONS			
P	LTR	DESCRIPTION	DATE	DWN	APVD
ES	00				
	B	REVISED PER EC 0S13-0175-05	17JUN05	JG	JK
	B1	REVISED PER ECO-06-010981	31MAY06	BM	JK
	B2	REVISED ECR-08-009797	15MAY08	AZ	SY

XFP CAGE
 MAT'L: COPPER ALLOY
 FINISH: TIN

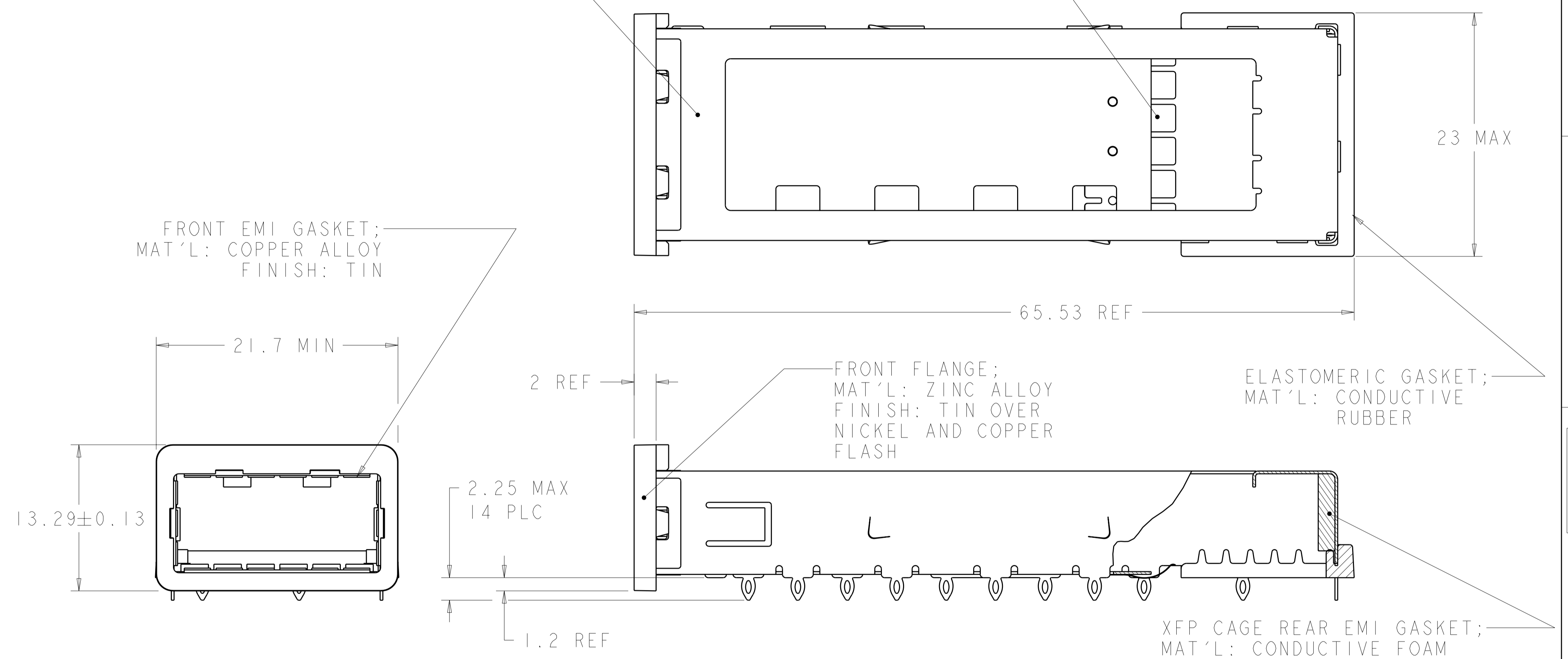
INTERMEDIATE REAR EMI GASKET;
 MAT'L: COPPER ALLOY
 FINISH: TIN

FRONT EMI GASKET;
 MAT'L: COPPER ALLOY
 FINISH: TIN

FRONT FLANGE;
 MAT'L: ZINC ALLOY
 FINISH: TIN OVER
 NICKEL AND COPPER
 FLASH

ELASTOMERIC GASKET;
 MAT'L: CONDUCTIVE
 RUBBER

XFP CAGE REAR EMI GASKET;
 MAT'L: CONDUCTIVE FOAM



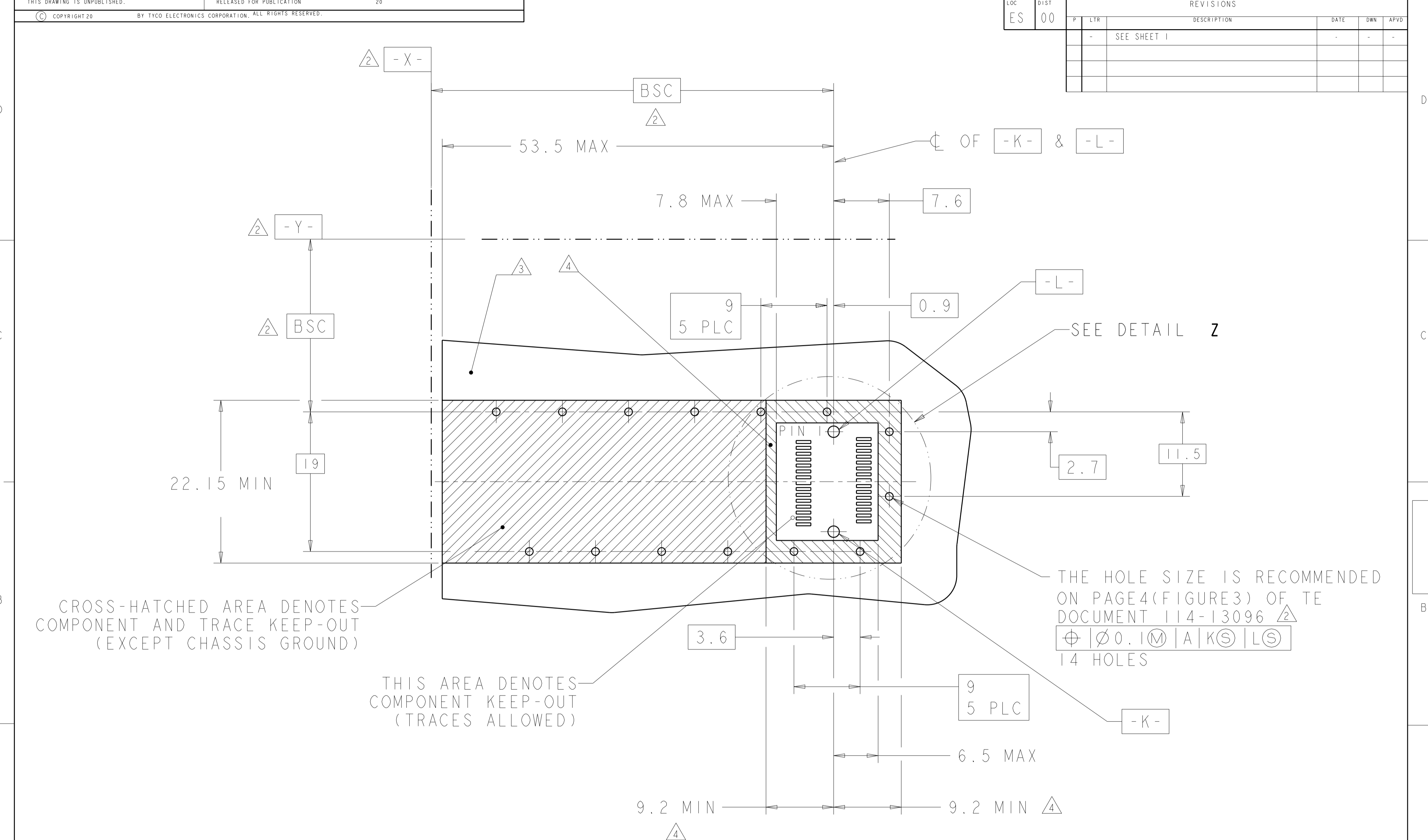
- ① MATES WITH XFP-MSA COMPLIANT TRANSCEIVERS.
- ② DATUM -X- AND -Y- ESTABLISHED BY CUSTOMER.
- ③ DATUM -A- IS TOP SURFACE OF HOST BOARD.
- ④ INDICATED SURFACES TO BE CONDUCTIVE AND CONNECTED TO CHASSIS GROUND.

1489951-1
 PART NUMBER

THIS DRAWING IS A CONTROLLED DOCUMENT FOR TYCO ELECTRONICS CORPORATION. IT IS SUBJECT TO CHANGE AND THE CONTROLLING ENGINEERING ORGANIZATION SHOULD BE CONTACTED FOR THE LATEST REVISION.		DWN D. STAHL 14AUG02	Tyco Electronics Shanghai, China	
DIMENSIONS: mm		CHK J. KOPPENHEFFER 15JAN04	NAME CAGE ASSEMBLY, 10 GIGABIT, XFP	
TOLERANCES UNLESS OTHERWISE SPECIFIED: 0 PLC ± 1 PLC ±.1 2 PLC ±.01 3 PLC ±.001 4 PLC ±.0001 ANGLES ± FINISH		APVD M. WALMSLEY 15JAN04	PRODUCT SPEC 108-2127	
MATERIAL		APPLICATION SPEC 114-13096	SIZE A2	CAGE CODE 00779
		WEIGHT -	DRAWING NO 1489951	RESTRICTED TO -
		CUSTOMER DRAWING	SCALE 4	SHEET 1 OF 3 REV B2

THIS DRAWING IS UNPUBLISHED. RELEASED FOR PUBLICATION 20
 © COPYRIGHT 20 BY TYCO ELECTRONICS CORPORATION. ALL RIGHTS RESERVED.

LOC	DIST	REVISIONS			
P	LTR	DESCRIPTION	DATE	DWN	APVD
ES	00				
		SEE SHEET 1			



DETAILED HOST BOARD MECHANICAL LAYOUT

<small>THIS DRAWING IS A CONTROLLED DOCUMENT FOR TYCO ELECTRONICS CORPORATION. IT IS SUBJECT TO CHANGE AND THE CONTROLLING ENGINEERING ORGANIZATION SHOULD BE CONTACTED FOR THE LATEST REVISION.</small>		DWN: D. STAHL 14AUG02 CHK: J. KOPPENHEFFER 15JAN04 APVD: M. WALMSLEY 15JAN04	Tyco Electronics Shanghai, China
DIMENSIONS: mm 		PRODUCT SPEC: 108-2127 APPLICATION SPEC: 114-13096	NAME: CAGE ASSEMBLY, 10 GIGABIT, XFP SIZE: A2 CAGE CODE: 00779 DRAWING NO: C-1489951
TOLERANCES UNLESS OTHERWISE SPECIFIED: 0 PLC \pm - 1 PLC ± 1 2 PLC ± 0.1 3 PLC ± 0.01 4 PLC ± 0.001 ANGLES \pm FINISH		WEIGHT: - CUSTOMER DRAWING	RESTRICTED TO: - SCALE: 4 SHEET: 2 OF 3 REV: B2

4

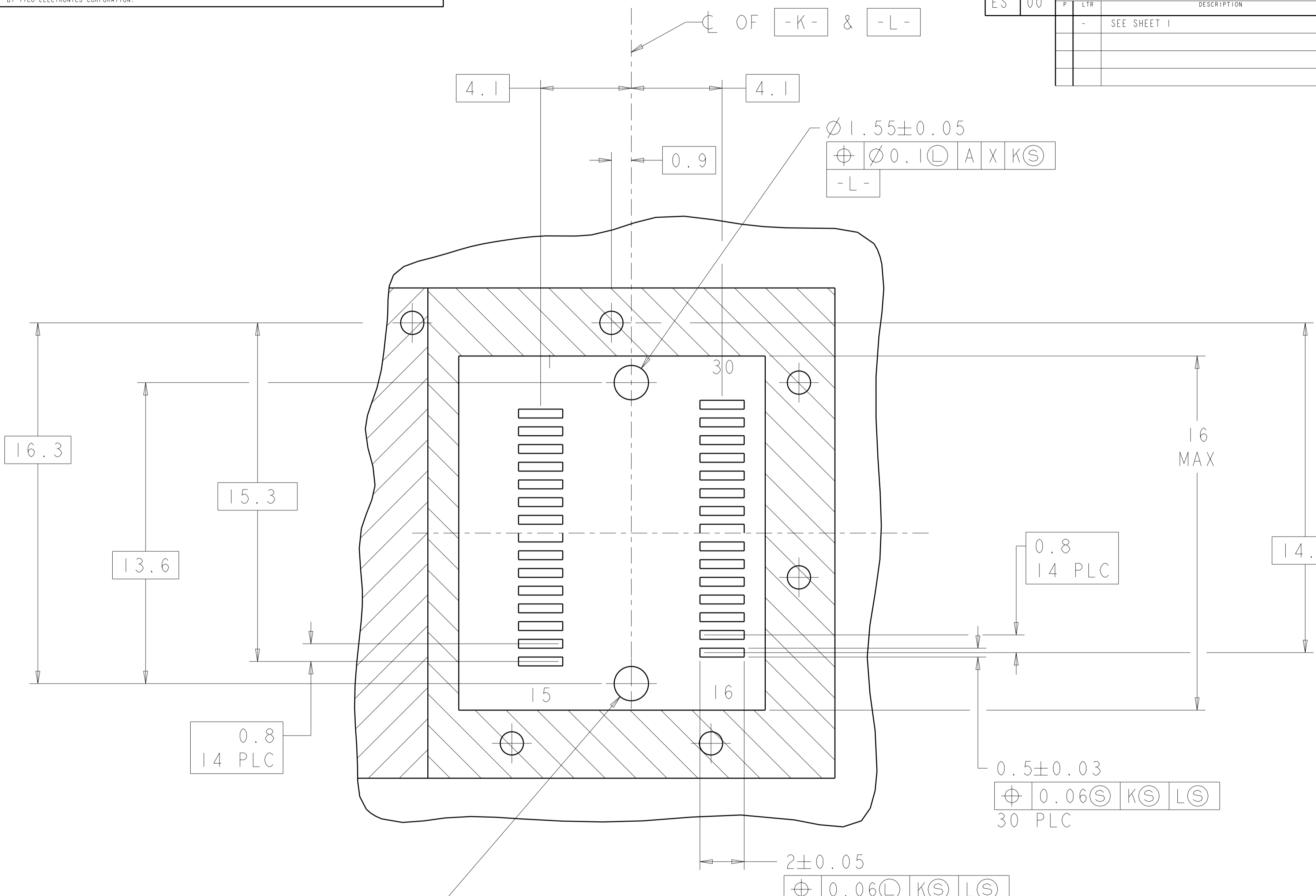
3

2

1

THIS DRAWING IS UNPUBLISHED. RELEASED FOR PUBLICATION 20
 © COPYRIGHT 20 BY TYCO ELECTRONICS CORPORATION. ALL RIGHTS RESERVED.

LOC	DIST	P	LTR	DESCRIPTION	DATE	DWN	APVD
ES	00	-	-	SEE SHEET 1	-	-	-



1.55±0.05
 ⊕ ∅ 0.1 (L) A X Y
 -K-

DETAIL Z
 SCALE 8:1

DETAILED HOST BOARD MECHANICAL LAYOUT

<small>THIS DRAWING IS A CONTROLLED DOCUMENT FOR TYCO ELECTRONICS CORPORATION. IT IS SUBJECT TO CHANGE AND THE CONTROLLING ENGINEERING ORGANIZATION SHOULD BE CONTACTED FOR THE LATEST REVISION.</small>		DWN D. STAHL 14AUG02 CHK J. KOPPENHEFFER 15JAN04 APVD M. WALMSLEY 15JAN04	Tyco Electronics Tyco Electronics Shanghai, China
DIMENSIONS: mm 	TOLERANCES UNLESS OTHERWISE SPECIFIED: 0 PLC ±- 1 PLC ±.1 2 PLC ±.01 3 PLC ±.001 4 PLC ±.0001 ANGLES ± FINISH	PRODUCT SPEC 108-2127 APPLICATION SPEC 114-13096 WEIGHT - CUSTOMER DRAWING	NAME CAGE ASSEMBLY, 10 GIGABIT, XFP SIZE A2 CAGE CODE 00779 DRAWING NO. C-1489951 RESTRICTED TO - SCALE 4 SHEET 3 OF 3 REV B2